

## WCh-1/B refrigerated counter



### STANDARD FEATURES

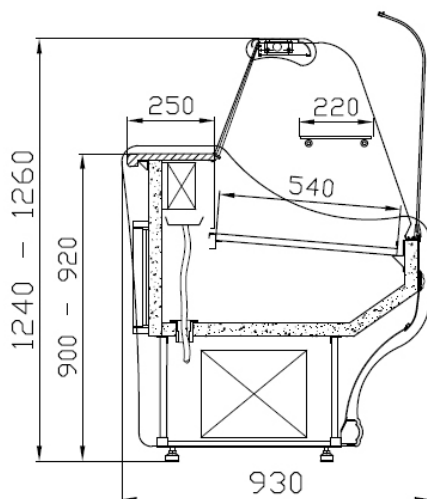
- pivoting front glass
- gravitational cooling
- storage compartment lined with stainless sheet
- thermostat with automatic defrost and digital display
- ABS sides and a hull insulated with polyurethane foam
- display lighting with a white fluorescent lamp
- night cover
- built-in refrigerating unit
- top aluminium handout shelf

### OPTIONAL FEATURES

- working top made of granite or stainless sheet
- a separator and a shelf in the display compartment
- a movable separator
- lighting of the front panel
- a lower shelf for customer use
- fluorescent lamp for meat display

## Cross section and measurements

## Technical data



| Lenght                               | mm             | 1200  | 1570 | 1800 | 2000 |
|--------------------------------------|----------------|---|------|------|------|
| Width                                | mm             | 930   |      |      |      |
| Height                               | mm             | 1240 – 1260   |      |      |      |
| Temperature Range                    | °C             | od +1 do +7°C In the surrounding temperature 25°C and relative humidity 60% |      |      |      |
| Refrigerating medium                 | -              | R507  |      |      |      |
| Useful capacity                      | l              | 300   | 400  | 500  | 555  |
| Display space                        | m <sup>2</sup> | 0,64  | 0,82 | 0,98 | 1,1  |
| Nominal voltage                      | V              | 230/50Hz  |      |      |      |
| Nominal Power                        | W              | 370   | 400  | 430  | 500  |
| Power consumption                    | kWh/24h        | 5,3   | 5,7  | 6,2  | 7,2  |
| Power consumption per unit of lenght | W/m            | 450   |      |      |      |
| Weight                               | kg             | 115   | 141  | 160  | 175  |

**The device serves for short-term storage and display of food previously cooled to its storage temperature**

The colours displayed on the webpage may diverge from reality. Please use a colour scale to select your colour.

We reserve the right to introduce changes without notice.

The present catalogue card is not a trade offer according to the provisions of the Commercial Law.